

Summer Dress



Sewing Supplies

- HUSQVARNA® VIKING® Sewing Machine
- Striped cotton fabric as called for in pattern
- 1 m (1 1/8 yd.) bias binding for armholes and shoulder straps
- 12 buttons in different colors
- Sewing thread
- 40 wt. Embroidery thread for decorative stitches
- Tear-A-Way stabilizer
- Dress pattern
- Optional:
- Gathering Foot (412 34 73-45)

CUT

Cut the front and back piece in desired size, for the dress. Cut the upper edge of the front piece straight. Place the pattern on the fabric. Add 1 1/4" (3 cm) seam allowance on the sides of the front piece and 2 3/8" (6 cm) seam allowance on the sides of the back piece. Add 1/4" (3 cm) for hem and upper edge. Cut out the pieces for the dress.

SEW

Finish the raw edges, snap on presser foot A and zig zag on all sides.


Using a Pictogram Pen, mark a diagonal line $2\frac{3}{4}$ " (7 cm) from the upper edge of the dress. Select the decorative stitch . Snap on presser foot B. Place tear away stabilizer underneath the fabric and sew 6 rows of decorative stitching to decorate the front piece following the stripes in the fabric. Stop 6" (15 cm) from the lower edge.

Illustration A

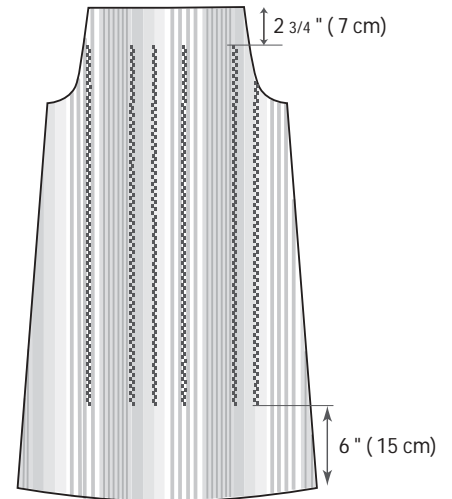


Illustration A.

Turn under $1\frac{1}{4}$ " (3 cm) on the sides of front and back pieces. Press. Overlap the folded front piece $1\frac{1}{4}$ " (3 cm) over the back piece as illustrated. Pin in place. Select straight stitch and snap on presser foot A. Sew a small square on top of the sides to keep the pieces together.

Illustration B

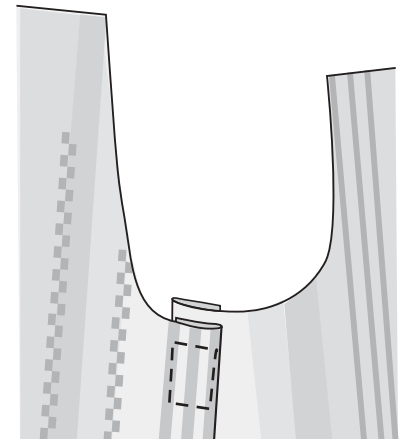


Illustration B.

Mark out for 6 button & buttonholes. The first 2" (5 cm) from the armhole opening and with $2\frac{3}{8}$ " – $2\frac{3}{4}$ " (6-7 cm) space along the sides. Start with the buttonholes and put on the Adjustable Buttonhole Foot. Place the button on the slide of the foot and push the slide together as far as it will go. Remove the button. Turn the stitch selector dial to the buttonhole symbol. Start stitching the buttonholes $\frac{3}{8}$ " (1 cm) from the folded edge on the front piece. Place tear away underneath the fabric. Sew all buttonholes.

To sew on buttons, lower the feed teeth and remove the presser foot to use the ankle only. Select zigzag. Tape the button on the fabric to keep it in place as you sew. Place the fabric and button under the ankle and lower it on the button. Check the stitch width with the handwheel and sew all buttons in place.

Turn under the hem and the upper edge with 1 1/4" (3 cm). Press. Raise the feed teeth and select straight stitch again. Snap on presser foot A and sew hem and upper edge with 1" (2.5 cm) seam allowance.

Try the dress and measure length for bias strips. Cut 2 pieces of bias binding. Add 1 5/8" (4 cm) seam allowance. Sew the short ends into a circle as illustrated.

Illustration C

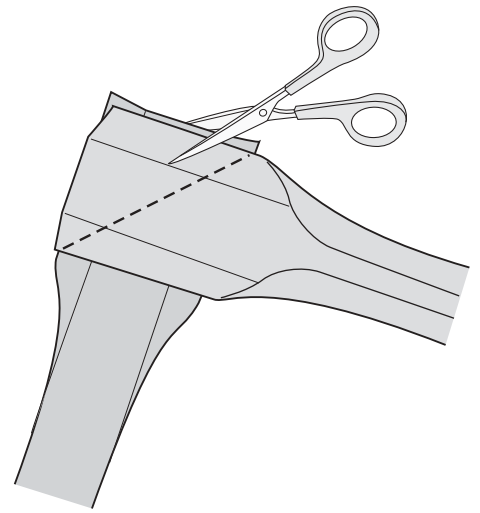


Illustration C.

Fold the bias binding around the edge of the armhole and stitch in place. Continue stitching on the shoulder strap, sewing the edges together.

Illustration D

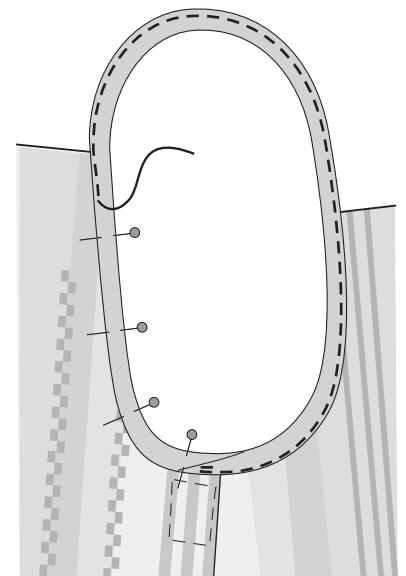


Illustration D.

To add the ruffle, measure the width of the front and back piece, 3" (7.5 cm) up from the lower edge. Take this length x 1.5 and cut 2" (5 cm) wide strips in this length for ruffle. (We have used a 3-thread overlock to finish the side edges of the strips but you can also use a dense, narrow zig zag stitch on your new Prelude.)

Snap on the Gathering Foot which is an optional accessory to make ruffles quickly. Select straight stitch and adjust stitch length to 3-4. Place the strip under the foot and sew to gather the fabric. Repeat for both strips.

Adjust stitch length to 2.5. Turn under the ends of the ruffled strips and stitch the ends. Pin the ruffle to the skirt 3" (7.5 cm) from the lower edge and stitch in place.

